

TIME MORE
for Espresso

PUCKS

Three step prep, one perfect espresso.



PUCKS unites three essential espresso tools for flawless puck preparation. Designed to minimize variables and refine your routine, it helps you achieve perfect extraction shot after shot. Made from high-quality materials, it adds both function and elegance to any counter top.

ELEVATE YOUR ESPRESSO.

Get everything you need in one package.



PUCKS

Espresso accessories set



● Hard Maple

Orbital wdt tool



● Cherry

Gravity distributor



● Black Walnut

Calibrated Tamper

Orbital WDT tool.

8 super-thin needles penetrate deep into the coffee bed to break up clumps big and small.

Includes 8 spare needles.



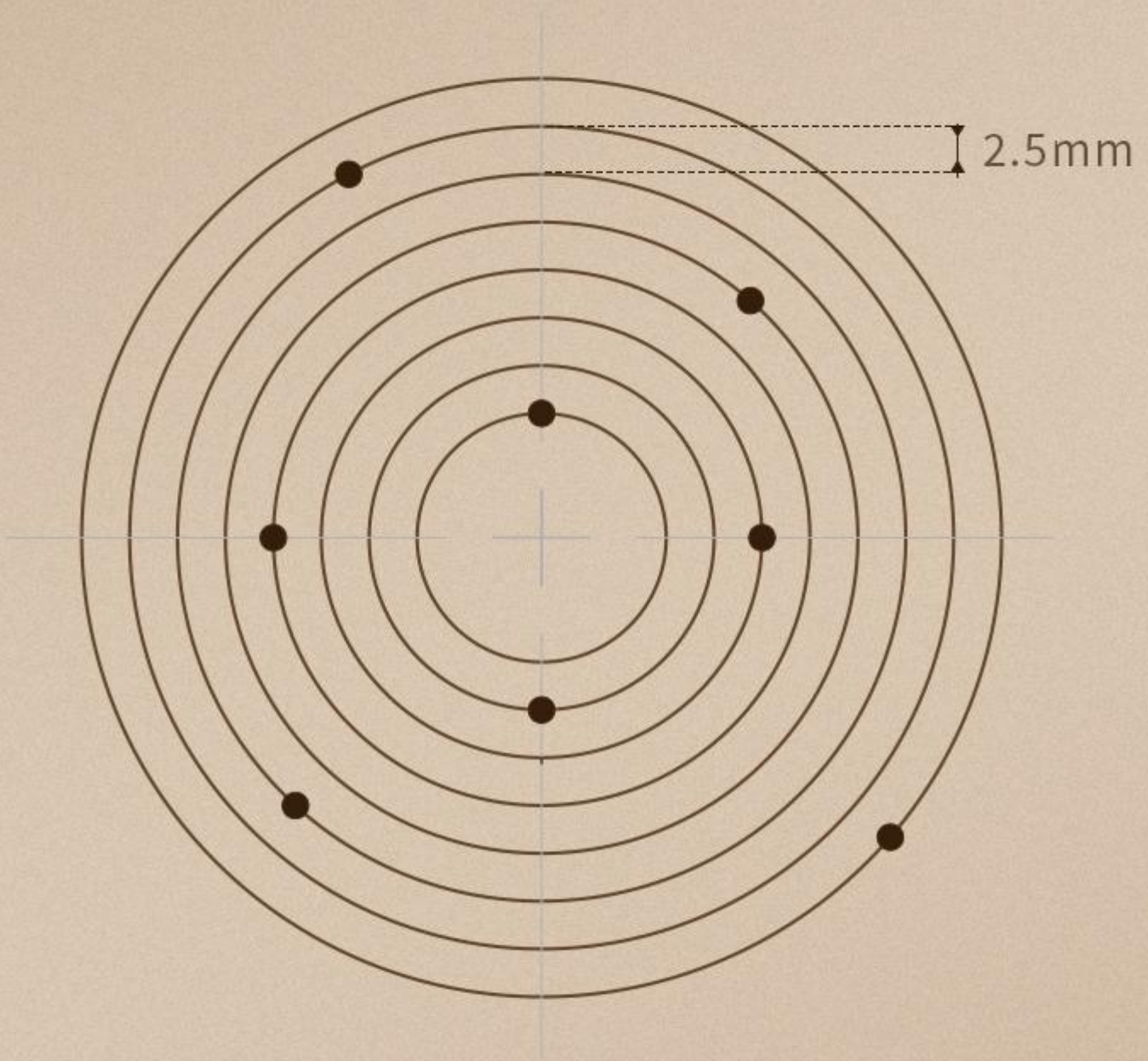
Dual bearing support.

Two bearings work together to provide maximum stability and smooth bidirectional 360° rotation.



Comprehensive distribution.

Spaced for optimal coverage, 8 needles work in harmony to create a consistent density, setting the stage for balanced extraction in every shot.



Before



After

Seamless magnetic alignment.

Magnets seal the gap with the portability for
a perfect fit.



Self-cleaning stand.

Soft, dense bristles knock coffee particles loose with a quick twist.



Orbital WDt tool.

Exploded view

Matte Black
Aluminum Grip

Hard Maple
Wooden Grip

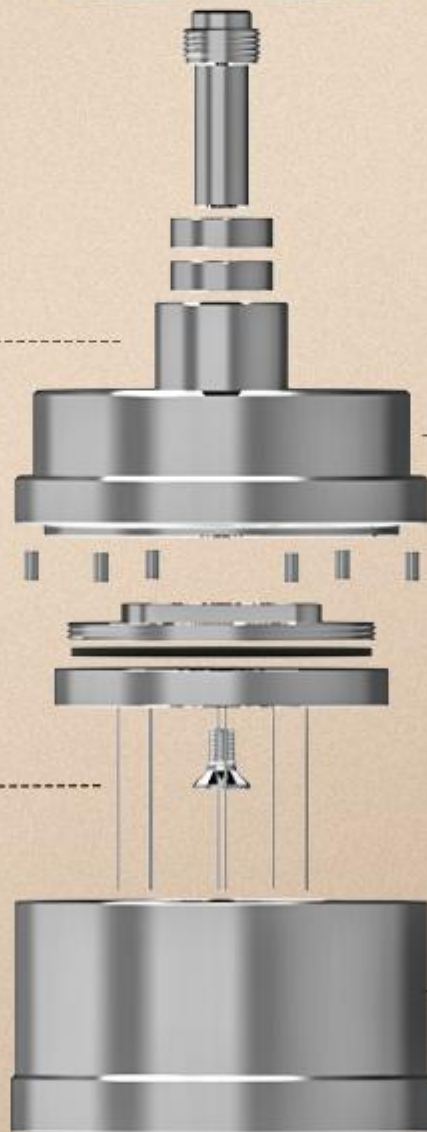


Central
Shaft

Body

Needle
Assembly

Base



304 Stainless Steel

Naturally Unique

Each wooden grip is crafted from solid hardwood, making every grain pattern one of a kind. Subtle variations in color, natural knots, and distinctive markings like tiger stripes or fine black lines are all part of its organic beauty. For a uniform look, consider the metal version.



Bird pecks



Knots



Banding



Small cracks



Minor pits



Burls



Gravity distributor.

Subtle grooves smooth and level the coffee bed.



Effortless distribution.

A snowflake inspired shape directs grounds where they are needed for an even distribution.



Incredible ergonomics.

Magnets, a perfectly weighted shaft, and bidirectional rotation make puck prep effortless.



Before



After

Made for 58mm setups.

We tested dozens of configurations to ensure a perfect fit with most 58mm baskets and portafilters.



Calibrated tamper.

Effortlessly apply a perfect 30 pounds of pressure with a satisfying click.



Precise spring system.

Unlike traditional calibrated tampers that release force all at once, PUCKS ramps up pressure gradually for an even puck.



Consistent Performance.

Precisely calibrated to
release with 30 lb of pressure.



Ergonomic grip.

Soft, rounded edges conform to your palm while still being easy to handle and hold.



Non-slip silicone mat.

PUCKS comes with a durable, stain resistant base to protect your counter and your gear.



**Get one,
or get them all.**





Mix, match make it yours.

Choose between a
variety of premium metal
and wooden finishes.



A place for everything. and everything in its place.

A triangular silicone mat keeps your setup neat and tidy while seamlessly blending into your space.



Wooden Grip Set



Aluminum Grip Set

Product Specifications

PRODUCT NAME

Pucks Espresso Accessories Set

INCLUDE

Orbital WDT Tool, Gravity Distributor
Calibrated Tamper, Wood/Metal Grips
White/Black 3-Piece Triangular Silicone Mat

DIMENSIONS

Orbital WDT Tool: 69.5 mm*91mm
Gravity Distributor: 68.5 mm*55 mm; Ø 58.4 mm
Calibrated Tamper: 66 mm*65.3 mm; Ø 58.4 mm
Triangular Silicone Mat: 182 mm*171 mm*13 mm

WEIGHT

	Metal	Wood
Orbital WDT Tool:	801 g	742 g
Gravity Distributor:	469 g	402 g
Calibrated Tamper:	465 g	389 g
Triangular Silicone Mat:	207 g	

MATERIALS

Aluminum Alloy/Wood, Stainless Steel, Silicone, Plastic

*Actual weight, color, and dimensions may vary.

Professional and Beautiful



