

Whirly 01S

Your Ultimate On-the-Go Electric Coffee grinder



Meet Whirly, the portable coffee grinder that refuses to compromise.

Whirly packs café-caliber performance into a design that goes wherever life takes you, all at an incredible price.

The innovative twist-up hopper transforms your grinding workflow, while Whirly's all-new S2C-042-EI burr set and super-fine grind adjustment makes it easy to pull incredible espresso.

With direct-to-portafilter dosing and professional-grade components, Whirly brings the coffee shop experience home – or anywhere else you're craving that perfect cup.

Lose the lid.

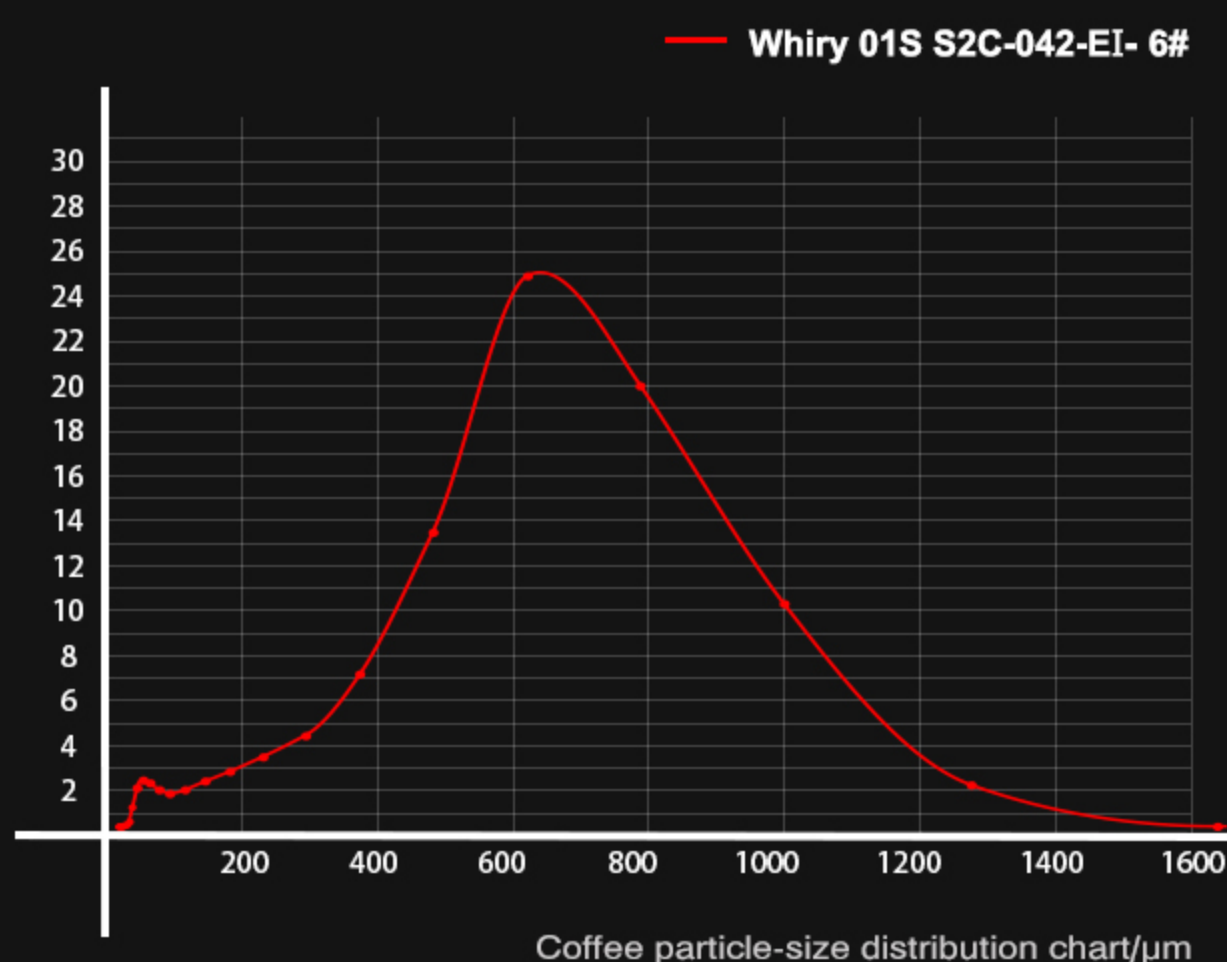
Whirly's clever hopper swivels up and snaps into place with a click. A gentle well helps guide beans into the hopper, with the catch cup accommodating up to 45 g of coffee.



A flavor phenom.



At the core of Whirly are our S2C-042-EI conical burrs, designed for both espresso and filter coffee. Pull rich, syrupy shots, or brew filter coffee with lingering body and sweetness.



The Whirly's S2C-042-EI burr set is the perfect choice for those who love the classic espresso flavor profile but also enjoy the occasional filter coffee. This burr set delivers elevated sweetness and richer crema while reducing the difficulty of pressure building during extraction, making it ideal for achieving a perfectly balanced shot. We found that it does especially well with medium to dark roasts, emphasizing round, integrated flavors.

Built for the long haul.



SUS420

Hardened Stainless Steel



5-Axis CNC

Manufacturing Process



58 HRC

Industry Standard Sharpness

All of the versatility, none of the bulk.

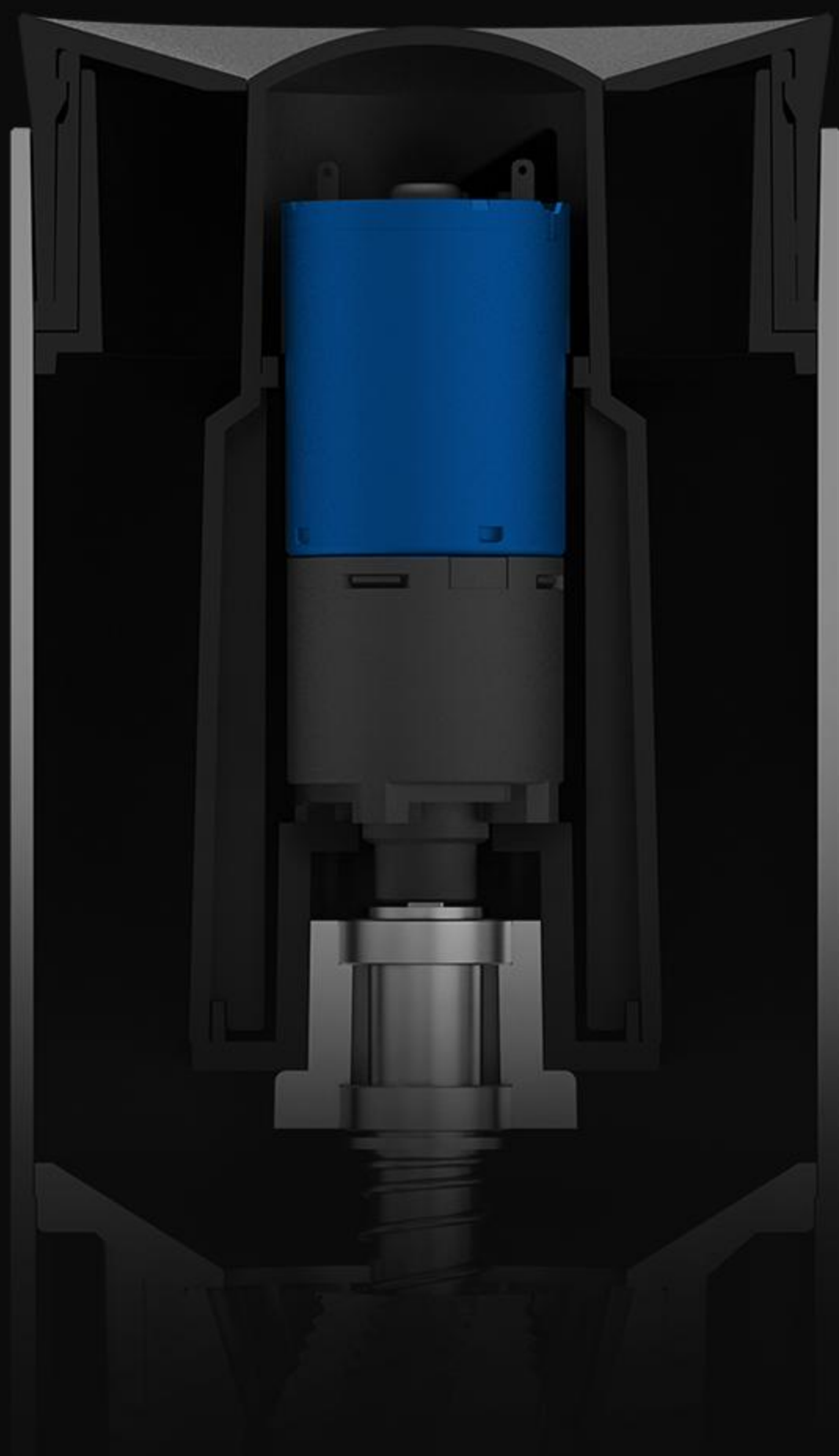
760 grams. That's all it takes to unleash incredible coffee flavor. Whirly delivers huge performance in a small, lightweight package.



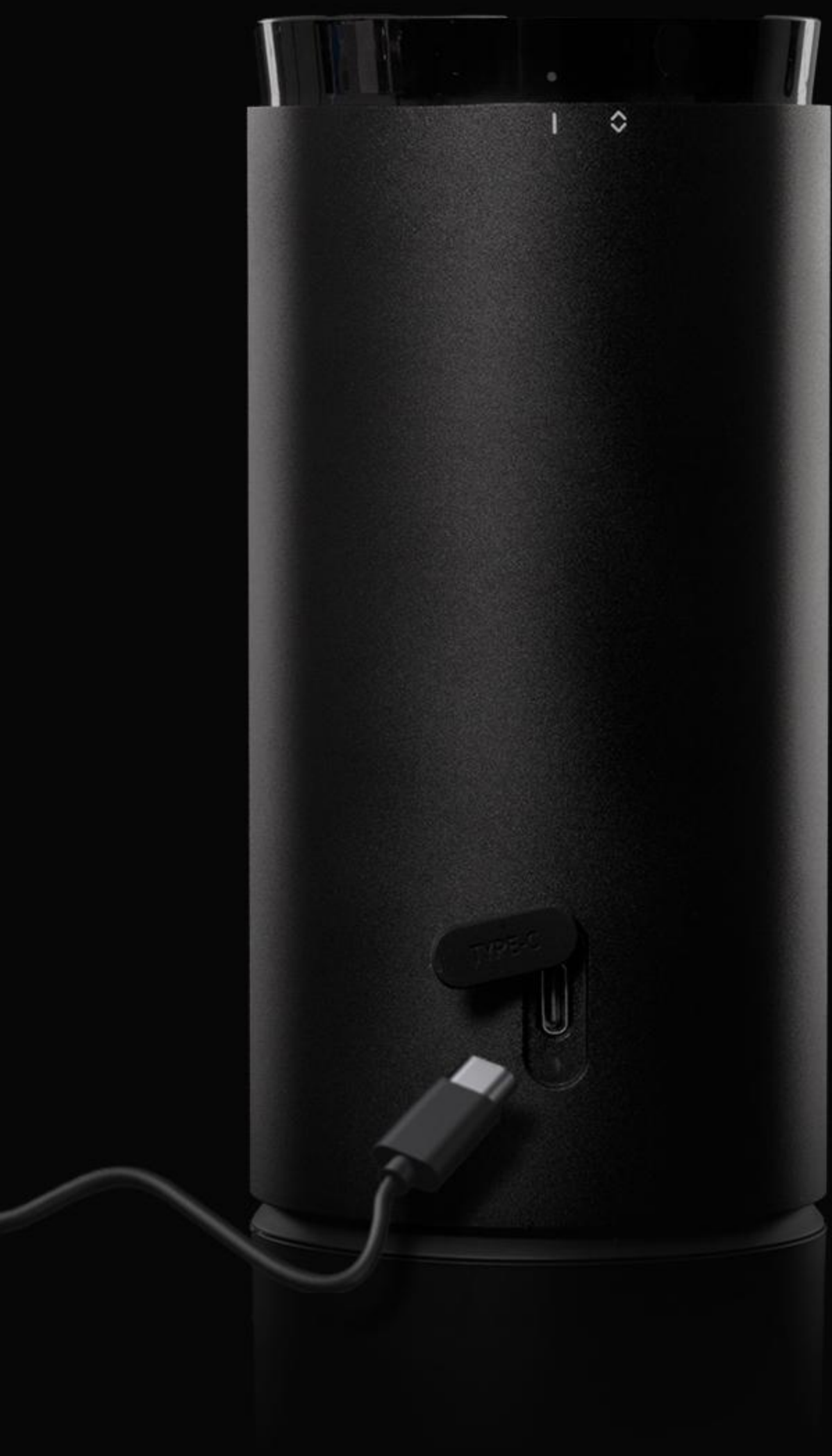
Get your grind on.

Whirly 60 W motor delivers both power and efficiency with its top-mounted motor. Grind for multiple espressos or pourovers back-to-back, all in less time than it would take to grind by hand.*

* Espresso: ~90 seconds, 18 g dose.
Pourover: ~30 seconds, 15 g dose.



A battery which outlasts your buzz.



A tandem 1000 mAh battery pack provides reliable power, reaching full charge in just three hours.

Whirly can grind up to 20 Espresso shots (20 g each) or 35 pourover servings (15 g each) on a single charge.

Making coffee for a crowd or dialing in the perfect brew? Whirly also handles multiple back-to-back grinds with ease.

A pop-up you
won't want to close.



Discover new grinding possibilities with Whirly's innovative swivel hopper. It allows for hot starts, slow feeding, and reduces popcorning and bean retention, making this one of our cleanest setups yet.

Add a flip
to your flow.



Designed to fit a 58 mm portafilter,
Whirly's catch cup streamlines dosing and
minimizes mess.

Step things up a notch.



Whirly offers a wide grinding range and precise 0.025 mm adjustments, so you can easily dial in the perfect grind for espresso, French press, and everything in between.



Espresso

0.1-0.7



Moka

0.6-0.8



Pourover

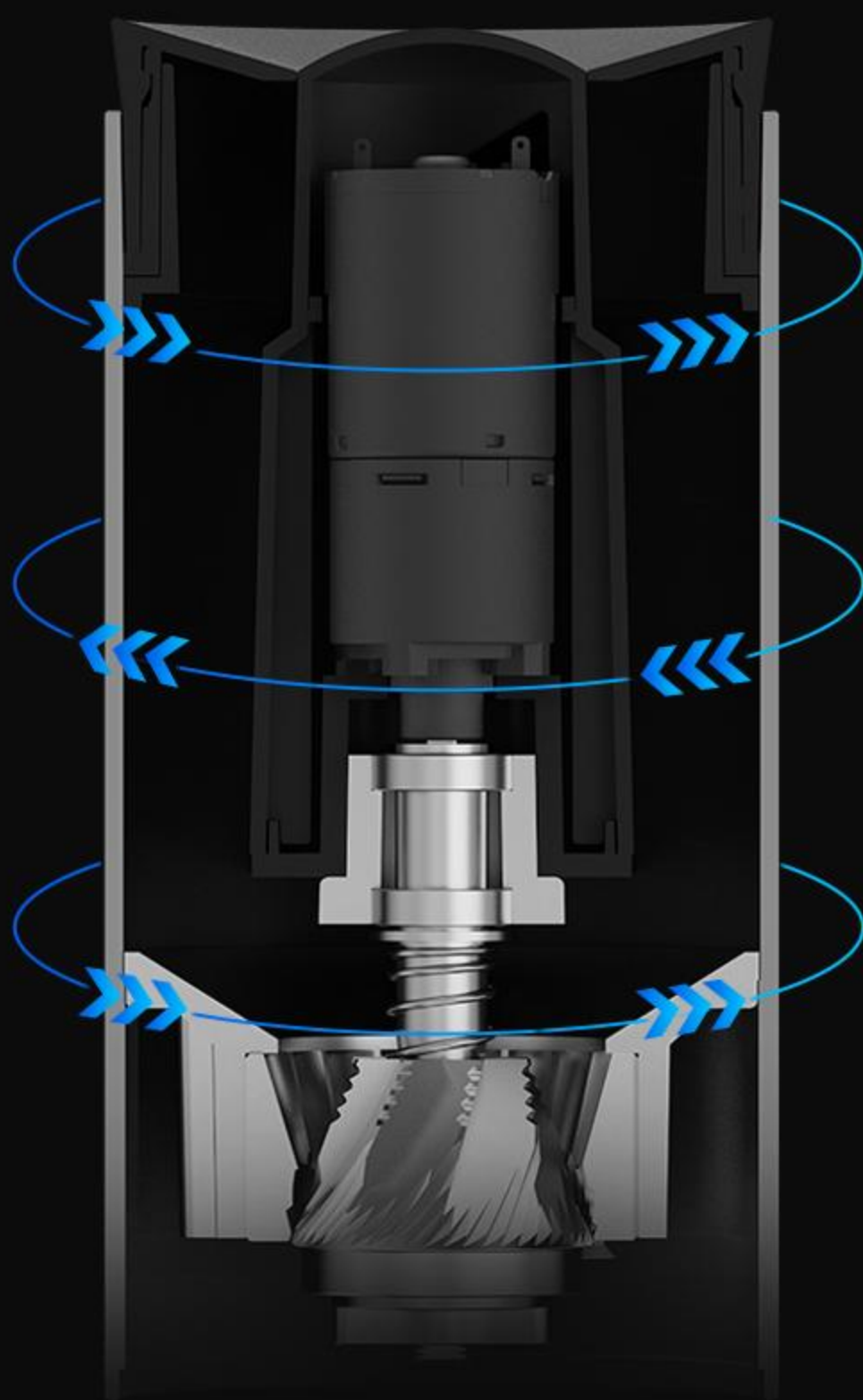
1.7-2.1



French Press

2.3-2.7

Smart where it matters.



▶ Whirly automatically powers down once the grind is complete.

▶ If a jam occurs, Whirly stops and reverses up to three times to clear it.

▶ Whirly monitors for overheating and automatically shuts off to safeguard your grinder.

Whirly is built to last with smart features that protect your machine. Outsmart obstructions, prevent overheating, and conserve battery life with Whirly's intelligent auto shut-off function.

Specifications



Product Name Timemore Whirly 01S Portable Electric Grinder

Color Black

Power Max.60 W

Weight 760 g

Materials Aluminum Alloy, ABS

Dimensions 72 mm*190 mm

Box Contents Grinder x 1, Type-C cable x 1, Brush x 1, User Manual x 1

Brew up something great.

